

|           |
|-----------|
| PROJECT   |
| TYPE      |
| SPECIFIER |
| QUANTITY  |
| DATE      |

## MICRO REEF SURFACE

### E10F0003-

|             |                      |                   |                 |
|-------------|----------------------|-------------------|-----------------|
| base number | Color<br>Temperature | Finish<br>Options | Lens<br>Options |
|-------------|----------------------|-------------------|-----------------|

- To build a product code in our configurator select the specify button on the base model # product page
- To build a manual product code on this datasheet choose from the options listed below in blue font and add the suffix to the base model #

#### GENERAL

|                                 |
|---------------------------------|
| Series: Reef                    |
| Subseries: Micro Reef           |
| Brand: Side                     |
| Division: Exterior              |
| Mounting Type: Surface          |
| Mounting Location: Above Ground |
| Subcategory: Flood              |

#### PHYSICAL

|   |
|---|
| Shape: Dome                             |
| Diameter (mm): 90                       |
| Diameter (in): 3 9/16                   |
| Length (mm): 200                        |
| Length (in): 7 7/8                      |
| Height (mm): 170                        |
| Height (in): 6 11/16                    |
| Light Distribution: Adjustable / Direct |
| Weight (kg): 0.9                        |
| Weight (lbs): 1.98                      |
| Diffuser: Clear tempered glass          |
| Fixture Finish: WHI / BLK / GRY         |
| Fixture Material: Aluminum Die Cast     |

#### ELECTRICAL

|   |
|---|
| Lamp Type: LED (Zhaga Standard)   |
| Input Wattage (W): 10   |
| Total Output Wattage (W): 9   |
| Dimming: Tri-Mode (Non-Dimming and Phase Dimming (120Vac only) and 0-10V Dimming)   |
| Driver Included: No   |
| Driver Location: Remote   |
| Driver Type: Constant Current - Universal   |
| Driver Class: Class 2   |
| Input Voltage (V): 120 - 277  |
| Constant Current (MA): 250  |
| Upon Request: (Not included - see components [IP65 or higher enclosure to be supplied by others]) 0-10Vdc dimming / Phase dimming @120Vac only / 277Vac |

#### LED

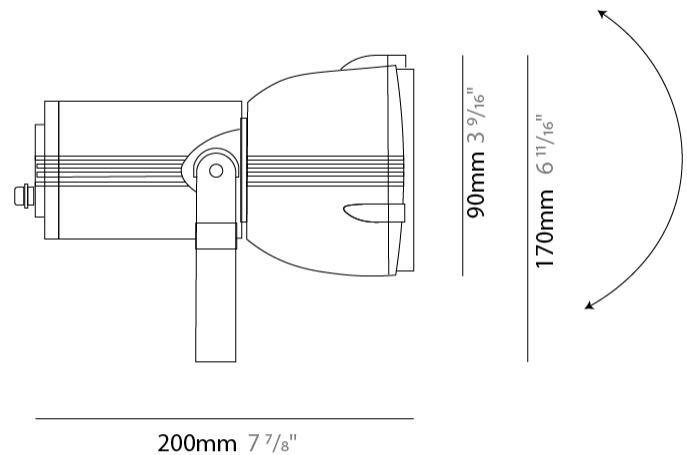
|  |
|--|
| Color Temperature (°K): 3000 / 4000    |
| Max. Delivered Lumen (lm): 758 / 821.9 |
| Nominal Lumen (lm): 830 / 900          |
| CRI: >80 CRI                           |
| Lamp Life (hrs): 50000                 |

#### OPTICAL

|                 |
|-----------------|
| Optic°: 10 / 25 |
|-----------------|

#### RATINGS AND CERTIFICATIONS

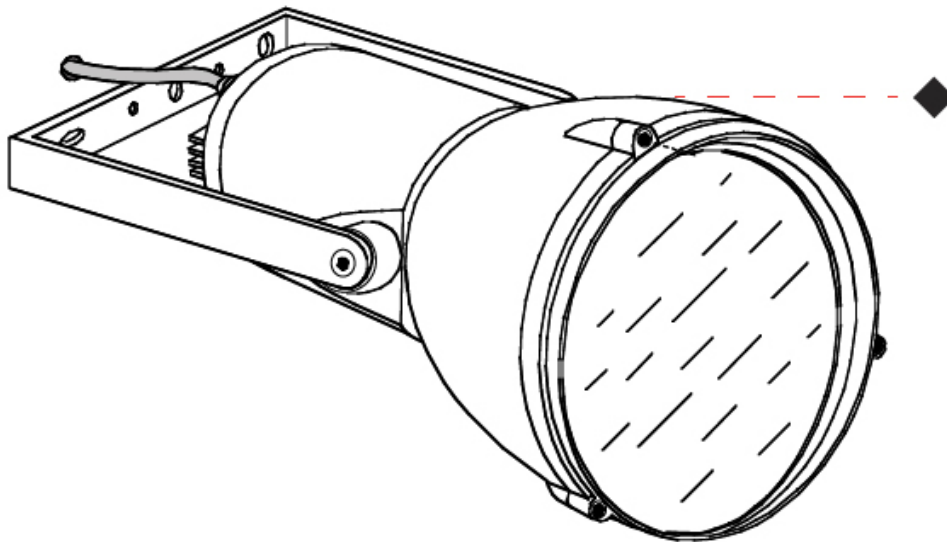
|  |
|--|
| Certified By: Certified for North American Standards |
| IP rating: IP65                                      |
| IK Rating: IK06                                      |



## MICRO REEF SURFACE

E10F0003-

|           |       |
|-----------|-------|
| PROJECT   | _____ |
| TYPE      | _____ |
| SPECIFIER | _____ |
| QUANTITY  | _____ |
| DATE      | _____ |



E

|           |
|-----------|
| PROJECT   |
| TYPE      |
| SPECIFIER |
| QUANTITY  |
| DATE      |

## MINI REEF SURFACE

### E10F0015-

|             |                      |                   |                 |
|-------------|----------------------|-------------------|-----------------|
| base number | Color<br>Temperature | Finish<br>Options | Lens<br>Options |
|-------------|----------------------|-------------------|-----------------|

- To build a product code in our configurator select the specify button on the base model # product page
- To build a manual product code on this datasheet choose from the options listed below in blue font and add the suffix to the base model #

#### GENERAL

|                                 |
|---------------------------------|
| Series: Reef                    |
| Subseries: Mini Reef            |
| Brand: Side                     |
| Division: Exterior              |
| Mounting Type: Surface          |
| Mounting Location: Above Ground |
| Subcategory: Flood              |

#### PHYSICAL

|   |
|---|
| Shape: Dome                             |
| Diameter (mm): 158                      |
| Diameter (in): 6 1/4                    |
| Length (mm): 258                        |
| Length (in): 10 3/16                    |
| Height (mm): 219                        |
| Height (in): 8 5/8                      |
| Light Distribution: Adjustable / Direct |
| Weight (kg): 2.2                        |
| Weight (lbs): 4.85                      |
| Diffuser: Clear tempered glass          |
| Fixture Finish: WHI / BLK / GRY         |
| Fixture Material: Aluminum Die Cast     |

#### ELECTRICAL

|   |
|---|
| Lamp Type: LED (Zhaga Standard)   |
| Input Wattage (W): 27.6   |
| Total Output Wattage (W): 24.3  |
| Dimming: Tri-Mode (Non-Dimming and Phase Dimming (120Vac only) and 0-10V Dimming)   |
| Driver Included: Yes  |
| Driver Location: Integrated   |
| Driver Type: Constant Current - Universal   |
| Driver Class: Class 2   |
| Input Voltage (V): 120 - 277  |
| Constant Current (MA): 700  |
| Upon Request: (Not included - see components [IP65 or higher enclosure to be supplied by others]) Remote: 0-10Vdc dimming |

#### LED

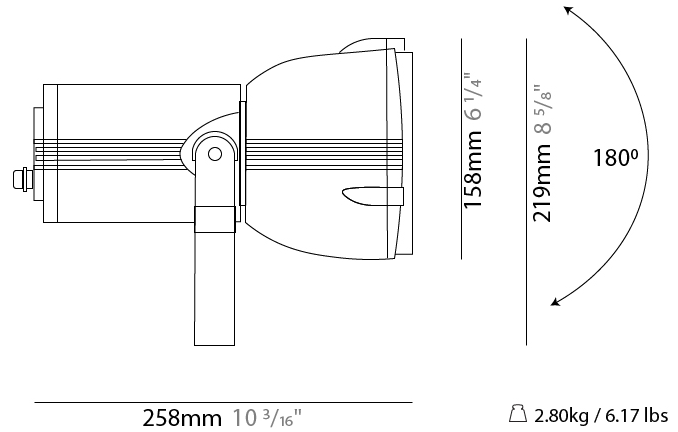
|  |
|--|
| Color Temperature (°K): 3000 / 4000        |
| Max. Delivered Lumen (lm): 3605.9 / 3854.5 |
| Nominal Lumen (lm): 4425 / 4730            |
| CRI: >80 CRI                               |
| Lamp Life (hrs): 50000                     |

#### OPTICAL

|                      |
|----------------------|
| Optic°: 15 / 30 / 60 |
|----------------------|

#### RATINGS AND CERTIFICATIONS

|  |
|--|
| Certified By: Certified for North American Standards |
| IP rating: IP65                                      |
| IK Rating: IK06                                      |



## MINI REEF SURFACE

E10F0015-

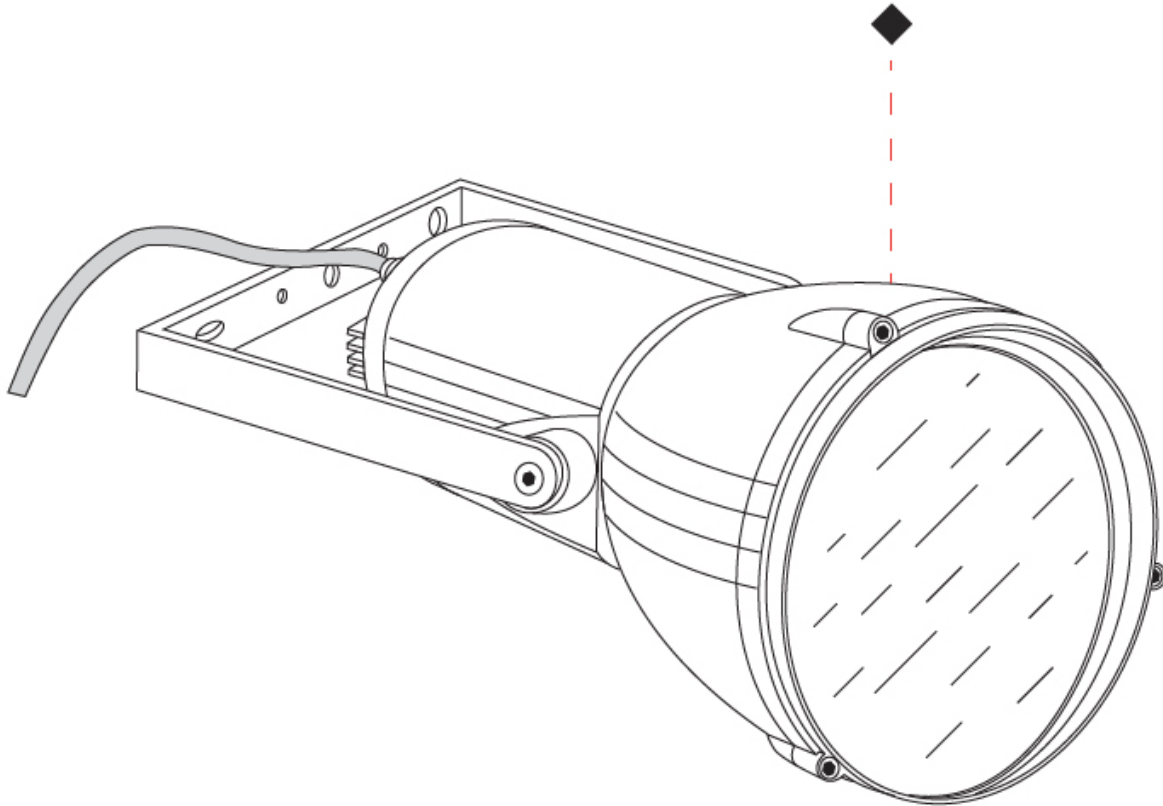
PROJECT \_\_\_\_\_

TYPE \_\_\_\_\_

SPECIFIER \_\_\_\_\_

QUANTITY \_\_\_\_\_

DATE \_\_\_\_\_



E

|           |
|-----------|
| PROJECT   |
| TYPE      |
| SPECIFIER |
| QUANTITY  |
| DATE      |

## REEF SURFACE

### E10F0033-

|             |                      |                   |                 |
|-------------|----------------------|-------------------|-----------------|
| base number | Color<br>Temperature | Finish<br>Options | Lens<br>Options |
|-------------|----------------------|-------------------|-----------------|

- To build a product code in our configurator select the specify button on the base model # product page
- To build a manual product code on this datasheet choose from the options listed below in blue font and add the suffix to the base model #

#### GENERAL

|                                 |
|---------------------------------|
| Series: Reef                    |
| Brand: Side                     |
| Division: Exterior              |
| Mounting Type: Surface          |
| Mounting Location: Above Ground |
| Subcategory: Flood              |

#### PHYSICAL

|   |
|---|
| Shape: Dome                             |
| Diameter (mm): 210                      |
| Diameter (in): 8 1/4                    |
| Length (mm): 294                        |
| Length (in): 11 9/16                    |
| Height (mm): 256                        |
| Height (in): 10 1/16                    |
| Light Distribution: Adjustable / Direct |
| Weight (kg): 4.3                        |
| Weight (lbs): 9.48                      |
| Diffuser: Clear tempered glass          |
| Fixture Finish: BLK / GRV               |
| Fixture Material: Aluminum Die Cast     |

#### ELECTRICAL

|   |
|---|
| Lamp Type: LED (Zhaga Standard)   |
| Input Wattage (W): 40.1   |
| Total Output Wattage (W): 36.5  |
| Dimming: Tri-Mode (Non-Dimming and Phase Dimming (120Vac only) and 0-10V Dimming)   |
| Driver Included: Yes  |
| Driver Location: Integrated   |
| Driver Type: Constant Current - Universal   |
| Driver Class: Class 2   |
| Input Voltage (V): 120 - 277  |
| Constant Current (MA): 1050   |
| Upon Request: (Not included - see components [IP65 or higher enclosure to be supplied by others]) Remote: 0-10Vdc dimming |

#### LED

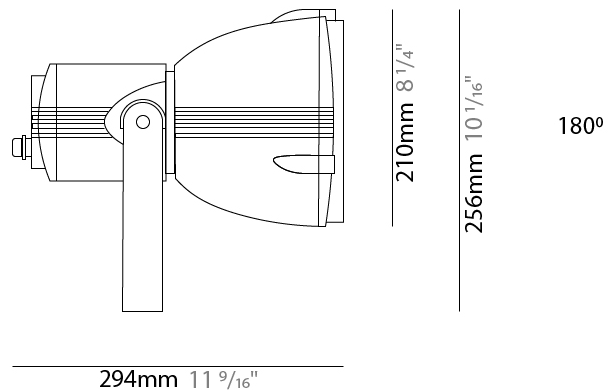
|  |
|--|
| Color Temperature (°K): 3000 / 4000        |
| Max. Delivered Lumen (lm): 5452.9 / 5670.6 |
| Nominal Lumen (lm): 6010 / 6250            |
| CRI: >80 CRI                               |
| Lamp Life (hrs): 50000                     |

#### OPTICAL

|                      |
|----------------------|
| Optic°: 15 / 25 / 40 |
|----------------------|

#### RATINGS AND CERTIFICATIONS

|  |
|--|
| Certified By: Certified for North American Standards |
| IP rating: IP65                                      |
| IK Rating: IK06                                      |



4kg / 8.82 lbs



## REEF SURFACE

E10F0033-

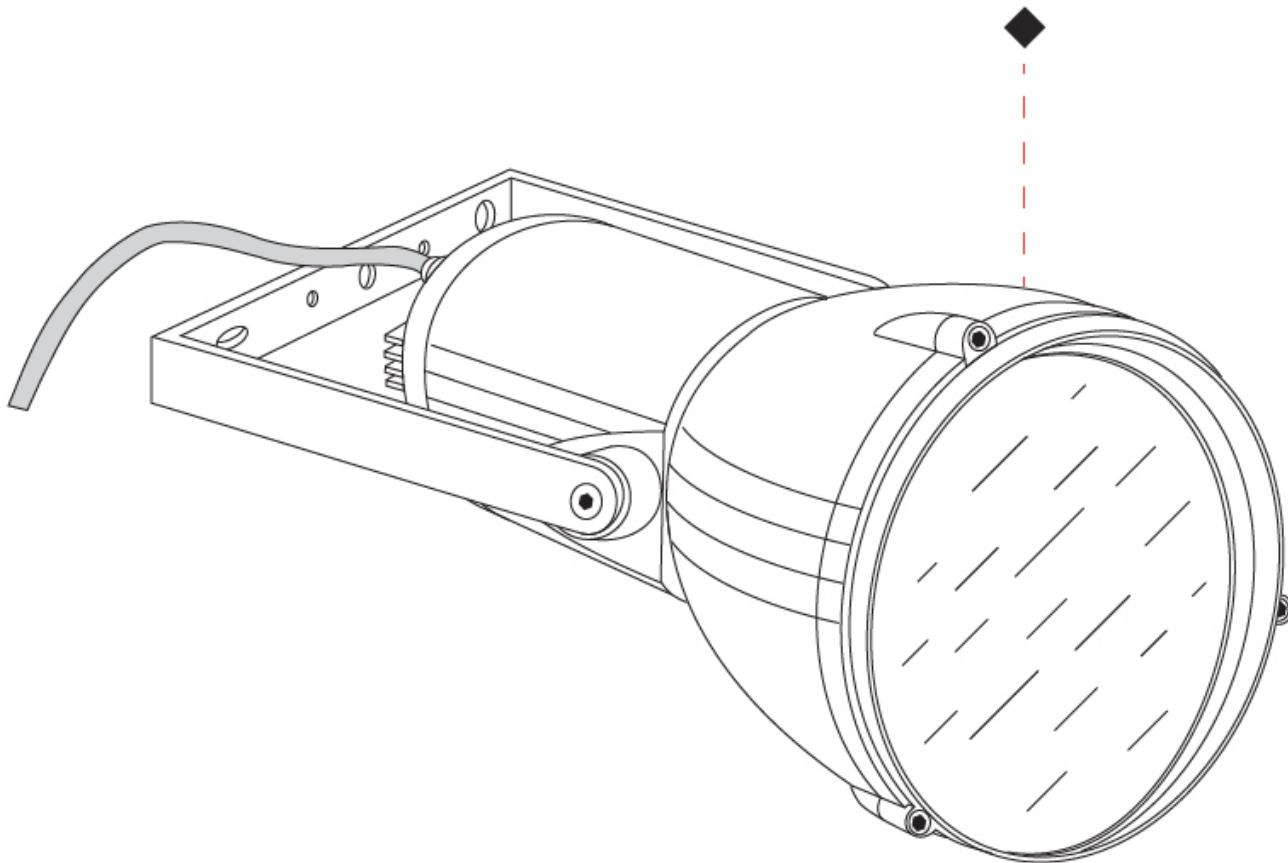
PROJECT \_\_\_\_\_

TYPE \_\_\_\_\_

SPECIFIER \_\_\_\_\_

QUANTITY \_\_\_\_\_

DATE \_\_\_\_\_



E

|           |       |
|-----------|-------|
| PROJECT   | _____ |
| TYPE      | _____ |
| SPECIFIER | _____ |
| QUANTITY  | _____ |
| DATE      | _____ |

### Fixture Finish

White - WHI



Black - BLK



Gray - GRY



**Digital:** Not all screens are calibrated the same, and therefore, colors will appear differently between screens.

**Physical:** When texture is involved, there will be variations in color, character and tone within a product series and between product families.





|           |  |
|-----------|--|
| PROJECT   |  |
| TYPE      |  |
| SPECIFIER |  |
| QUANTITY  |  |
| DATE      |  |

### LEGEND

|   |  |  |
|---|--|--|
| floor-mounted   | pivotable  | special LED (upon request) RGB, RGBW, tunable, gold+, meat+, art+, fashion+                    |
| wall and ceiling: recessed and surface mounted            | rotating   | warm dim / natural dimming LED   |
| ceiling-mounted and wall-mounted                          | illuminate tilted  | rechargeable battery powered   |
| wall-mounted  | color of suspension cable                                    | fixture with natural vivid LED (upon request)  |
| omni-directional light distribution                       | length of suspension cable                                   | color rendering index  |
| direct light distribution                                 | reflector degree selection                                   | color temperature  |
| direct/indirect light distribution                        | super spot   | lumen (luminous flux)  |
| indirect light distribution                               | lens   | efficacy (lumens per watt)   |
| asymmetric light distribution                             | lens pack  | Unified Glare Rating (UGR) range from 5-40   |
| aura light distribution                                   | shine ring   | marine grade (AISI 316 stainless steel)  |
| round wall or ceiling cut-out                             | integrated shine ring with diffuser                          | walk on  |
| square wall or ceiling cut-out                            | free individual colors 01-29                                 | drive on   |
| the supplied jig specifies the cutout dimensions          | individual colors: 00 (free of charge), 01-25 (extra charge) | Dark Sky Compliance  |
| minimum distance (meters) lamp - object                   | luminaire part to be colored (F1)                            | Americans with Disabilities Act (less than 4" off the wall located between 27"-84" from floor) |
| recessed depth  | luminaire part to be colored (F2)                            | lamp protected against explosion   |
| ceiling thickness in mm                                   | luminaire part to be colored (F3)                            | blown glass using traditional methods by master glass blower                                   |
| ceiling thickness selection                               | luminaire part to be colored (F4)                            | acoustic material  |
| dimmable DP (phase), DV (0-10V), DD (dali), DS (step-dim) | luminaire part to be colored (F5)                            | protection class I, protection insulation  |
| included or excluded LED driver/transformer/control gear  | color of 3-circuit adaptor                                   | protection class II, protection insulation   |
| separately switchable                                     | indirect diffuser  | ETL Certified to UL and CSA Standards  |
| sensor  | direct diffuser  | UL Certified to UL and CSA Standards   |
| remote control  | ball-proof (upon request)                                    | CSA Certified to UL and CSA Standards  |
| available upon request                                    | accessory  | Certified for North American Standards   |

### IP RATING

|      |  |
|------|--|
| IP20 | protected against ingress of solid bodies greater than 12.5mm (finger)   |
| IP33 | protected against ingress of solid bodies greater than 2.5mm<br>protected against sprays of water up to 60 degrees from the vertical (rain)      |
| IP40 | protected against ingress of solid bodies greater than 1mm (wire)<br>no protection against the ingress of moisture                               |
| IP43 | protected against ingress of solid bodies greater than 1mm (wire)<br>protected against sprays of water up to 60 degrees from the vertical (rain) |
| IP44 | protected against ingress of solid bodies greater than 1mm (wire)<br>protected against water splashed from all directions                        |
| IP54 | protected against limited ingress of dust (wet rooms/covered outdoor areas)<br>protected against water splashed from all directions              |
| IP65 | protected against ingress of dust<br>protected against jets of water   |
| IP66 | protected against ingress of dust<br>protected against powerful jets of water or heavy seas  |
| IP67 | protected against ingress of dust<br>protected against immersion of water between 15cm - 1m for 30 minutes                                       |
| IP68 | protected against ingress of dust<br>protected against immersion of water under pressure for long periods  |

### IK RATING

|      |   |
|------|---|
| IK01 | protected against 0.14 joules impact (equivalent to 0.25kg mass dropped from 56mm above the surface)  |
| IK02 | protected against 0.2 joules impact (equivalent to 0.25kg mass dropped from 80mm above the surface)   |
| IK03 | protected against 0.35 joules impact (equivalent to 0.25kg mass dropped from 140mm above the surface) |
| IK04 | protected against 0.5 joules impact (equivalent to 0.25kg mass dropped from 200mm above the surface)  |
| IK05 | protected against 0.7 joules impact (equivalent to 0.25kg mass dropped from 280mm above the surface)  |
| IK06 | protected against 1 joules impact (equivalent to 0.25kg mass dropped from 400mm above the surface)    |
| IK07 | protected against 2 joules impact (equivalent to 0.5kg mass dropped from 400mm above the surface)     |
| IK08 | protected against 5 joules impact (equivalent to 1.7kg mass dropped from 300mm above the surface)     |
| IK09 | protected against 10 joules impact (equivalent to 5.0kg mass dropped from 200mm above the surface)    |
| IK10 | protected against 20 joules impact (equivalent to 5.0kg mass dropped from 400mm above the surface)    |